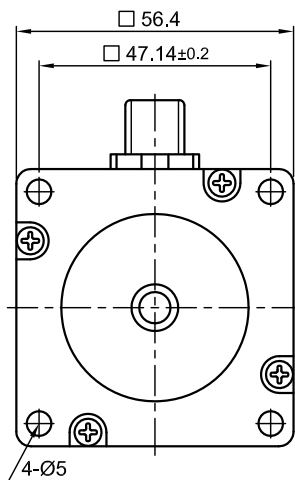
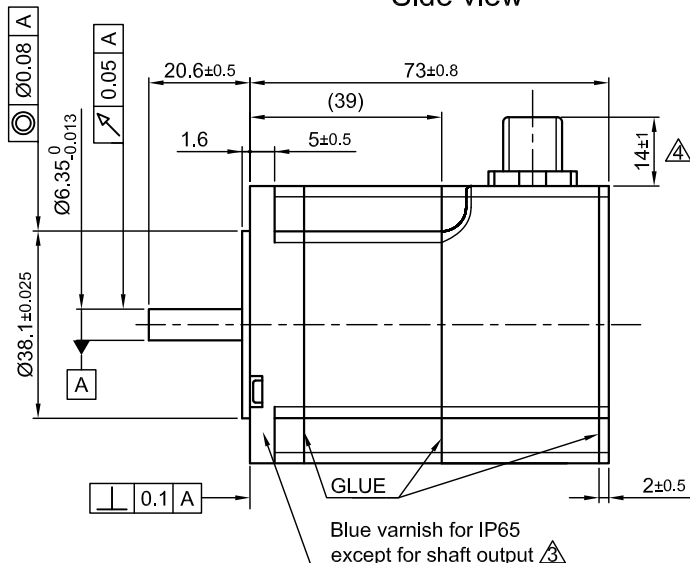


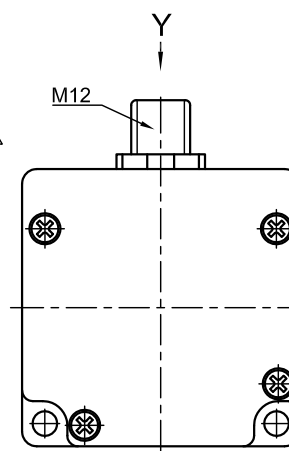
Front view and mounting



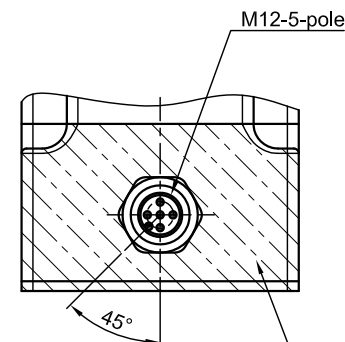
Side view



Rear view



Y view

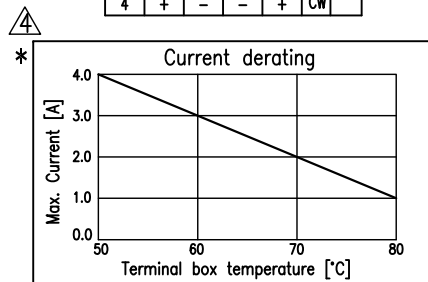


* Temperature on marked area must not exceed 80°C. From 50°C to 80°C follow derating curve.

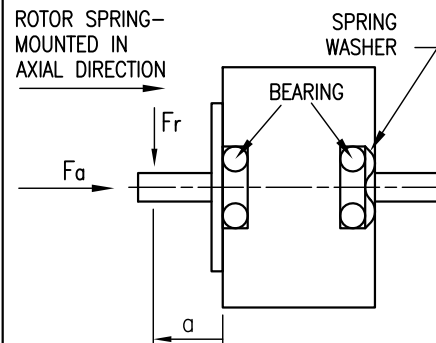
SPECIFICATION	CONNECTION	BIPOLAR PARALLEL
VOLTAGE (VDC)		2.12
AMPS/PHASE		2.83 * ⚠
RESISTANCE/PHASE (Ohms)@25°C		0.75±10%
INDUCTANCE/PHASE (mH) @1KHz		2.6±20%
HOLDING TORQUE (Nm) [lb-in]		0.85 [7.52]
DETENT TORQUE (Nm) [lb-in]		0.028 [0.244]
STEP ANGLE (°)		1.8 ⚠
STEP ACCURACY (NON-ACCUM)		±5%
ROTOR INERTIA (Kg-m²) [lb-in²]		2.3x10 ⁻⁵ [0.079]
WEIGHT (Kg) [lb]		0.8 [1.77]

FULL STEP 2 PHASE-Ex., WHEN FACING MOUNTING END (X)

STEP	A	B	A'	B'	CCW	CW
1	+	+	-	-	↑	↓
2	-	+	+	-	↓	↑
3	-	-	+	+	↑	↓
4	+	-	-	+	↓	↑



PERMISSIBLE RADIAL+AXIAL FORCE



M12-5 pole Motor ⚠ ⚠

NO.	ASSIGNMENT
1	A\
2	A
3	B
4	B\
5	HOUSING

CABLE MOTOR:
ZK-M12-5-2m(5m)
STRAIGHT OR 90° ANGLED

TEMPERATURE RISE: MAX.80°C (MOTOR STANDSTILL; FOR 2 PHASE ENERGIZED) * ⚠	AXIAL-FORCE Fa (N)	Fa=15
AMBIENT TEMPERATURE -10~ 50°C [14°F ~ 122°F] * ⚠	DISTANCE a (mm)	5 10 15 20
INSULATION RESISTANCE 100 MOhm (UNDER NORMAL TEMPERATURE AND HUMIDITY)	RADIAL-FORCE Fr (N)	130 90 70 52
INSULATION CLASS B 130° [266°F]		AXIAL RADIAL
DIELECTRIC STRENGTH 500VAC FOR 1 MIN. (BETWEEN THE MOTOR COILS AND THE MOTOR CASE)	SHAFT PLAY (mm)	0.08 0.02
AMBIENT HUMIDITY MAX. 85% (NO CONDENSATION)	AT LOAD MAX: (N)	4.5 4.5

4	warning notice/ rework draw	05.04.16	A.S.
3	RESTRICTION SUPPLEMENTED	17.02.10	J.W.
2	WIRE COLOUR DELETE	30.09.09	J.W.
REV	DESCRIPTION	DATE	DRN



Surface specification DIN ISO 1302	General tolerances DIN ISO 2768- cH	Work piece edge DIN ISO 13715
---------------------------------------	--	----------------------------------

APVD	S.H.	14.08.08
CHKD		
DRN	J.W.	14.08.08
SIGNATURE		DATE

STEPPER MOTOR IN PROTECTION

DWG.NO

AS5918S2804